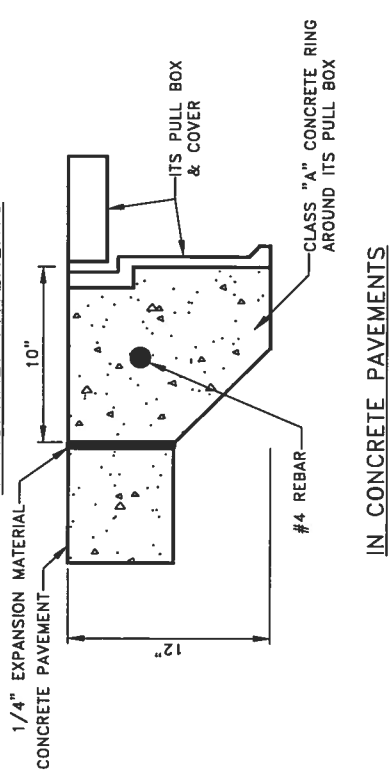
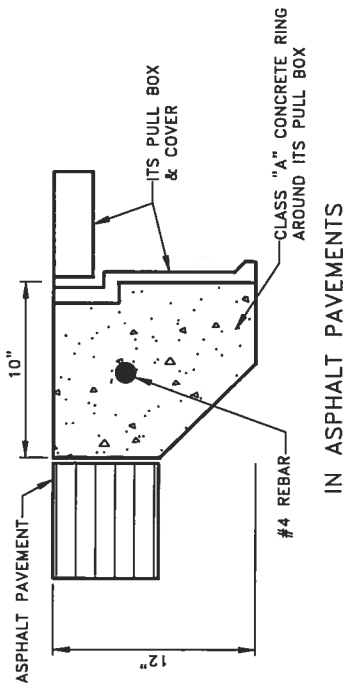
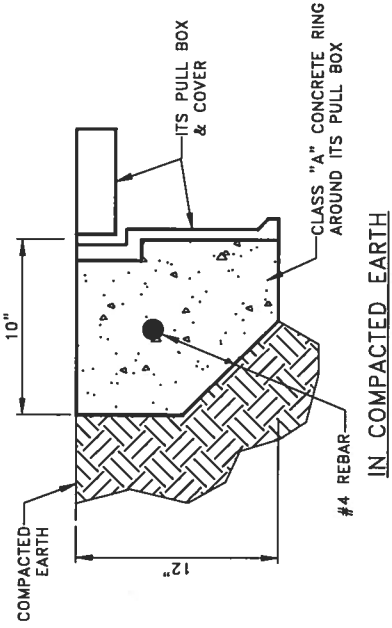
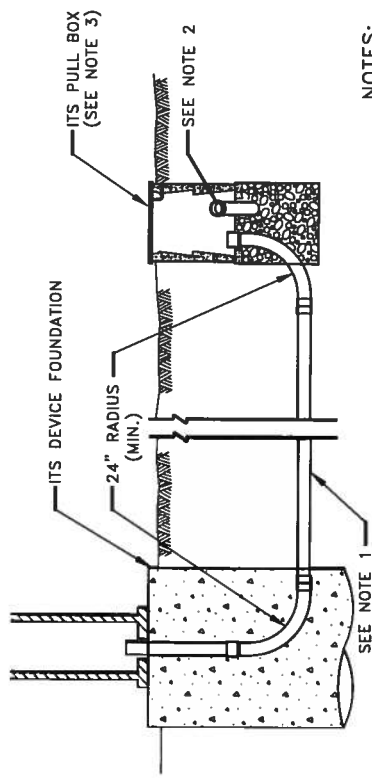


**TYPICAL ITS PULL BOX INSTALLATION**  
NOTE: SEE "CONCRETE COLLAR DETAILS"



**CONCRETE COLLAR DETAILS**

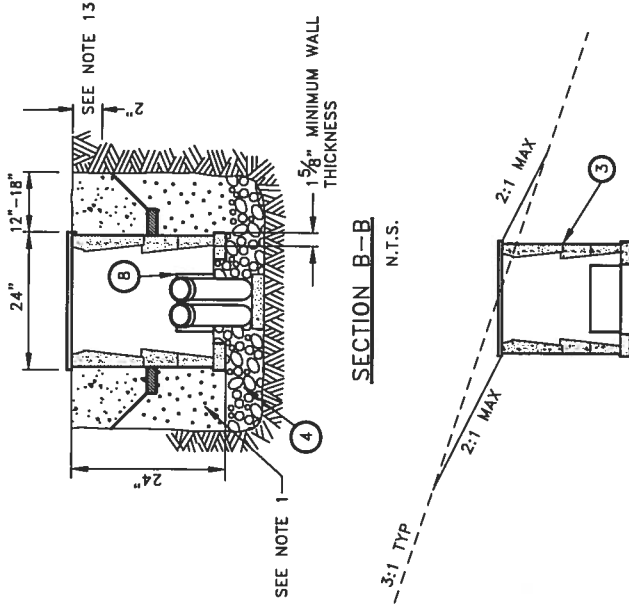
NOTE: THE CONCRETE COLLAR FOR THE ITS PULL BOXES WILL BE CONSIDERED INCIDENTAL TO THE ITS PULL BOX BID ITEM



**CONDUIT ARRANGEMENT FOR ITS DEVICE FOUNDATION**  
N.T.S.

**NOTES:**

1. INSTALL CONDUIT FROM ITS PULL BOX TO ITS DEVICE FOUNDATION FOR COMMUNICATIONS AND POWER. SEE PLANS FOR SIZE AND TYPE OF CONDUITS.
2. SEE PLANS FOR CONDUIT LAYOUT AND CONTENTS AT EACH DEVICE LOCATION.
3. ITS PULL BOX NOT REQUIRED AT EVERY INSTALLATION, SEE PLANS FOR DETAILS.



**SECTION B-B**  
N.T.S.

**INSTALLATION IN SLOPED AREAS**  
N.T.S.

ITEM #	DESCRIPTION
1	CONDUIT WARNING TAPE
2	CONCRETE BUILDING BLOCK 2" x 4" x 8"
3	ITS PULL BOX WITH EXTENSION (WITH EXCEPTIONS AS DRAWN)
4	NO. 57 AGGREGATE PER AASHTO M 43
5	4" MULTI-DUCT CONDUIT (MDC), OR AS PER PLANS
6	30 DEGREE MULTI-DUCT CONDUIT (MDC) ELBOW, 36" RADIUS
7	MULTI-DUCT CONDUIT (MDC) COUPLING
8	KNOCK OUT 6" X 12" - SEE NOTE 10
9	90 DEGREE ELBOW, 24" RADIUS
10	BELL END FOR MDC - SEE NOTE 9
11	30 LB FELT PAPER
12	PULL BOX DELINEATOR (FLEXIBLE TRAFFIC MARKER) - SEE NOTE 11
13	5/8" X 8' COPPER WELD GROUND ROD

- NOTES:**
1. BACKFILL WITH NO. 57 AGGREGATE (PER AASHTO M 43) TO BOTTOM OF CONCRETE COLLAR
  2. PROVIDE HEAVY DUTY COVER, WITH SKID RESISTANT SURFACE, FLUSH LIFTING EYES, AND TWO OPENINGS FOR BOLTING COVER DOWN.
  3. CONDUIT FROM THE TYPICAL TRENCH SECTION SHALL NOT DEFLECT BY MORE THAN 1" PER FOOT FROM THE ALIGNMENT PRECEDING OR FOLLOWING THE ITS PULL BOX.
  4. SIZE AND TYPE OF CONDUITS AS INDICATED ON PLANS.
  5. TOP EDGE OF MDC CONDUIT SHALL BE ALIGNED TO TOP EDGE OF ITS PULL BOX TO FACILITATE CABLE PULLING.
  6. ALL POWER AND COMMUNICATION CABLES SHALL BE TAGGED WITH PROPER CABLE IDENTIFICATION.
  7. NUMBERS IN CIRCLES REFER TO ITEMS IN MATERIAL LIST.
  8. "NMDOT COMMUNICATIONS" SHALL BE THE TITLE EMBOSSED ON THE COVER.
  9. USE MULTI-DUCT CONDUIT TO EXTEND INTO ITS PULL BOX.
  10. USE FELT PAPER TO BLOCK OPENING BETWEEN CONDUITS.
  11. INSTALL FLEXIBLE TRAFFIC MARKER 12" IN FRONT OF EACH ITS PULL BOX WITHOUT DISTURBING BURIED CONDUIT.
  12. FLOWABLE FILL SHALL NOT BE USED WITHIN 12" OF ITS PULL BOX.
  13. IF ITS PULL BOX IS INSTALLED IN PAVEMENT OR SIDEWALK, THE TOP OF THE ITS PULL BOX SHALL BE FLUSH WITH THE TOP OF THE PAVEMENT OR SIDEWALK.

NO.	DESCRIPTION	DATE	BY

REVISIONS (OR CHANGE NOTICES)

**NEW MEXICO DEPARTMENT OF TRANSPORTATION**

**ITS PULL BOX INSTALLATION DETAIL**

APPROVED	DESIGN ENGINEER	11/11	DATE
DESIGN BY	DRAWN BY	CHECKED BY	
750-02-1/1			
1 of 1			