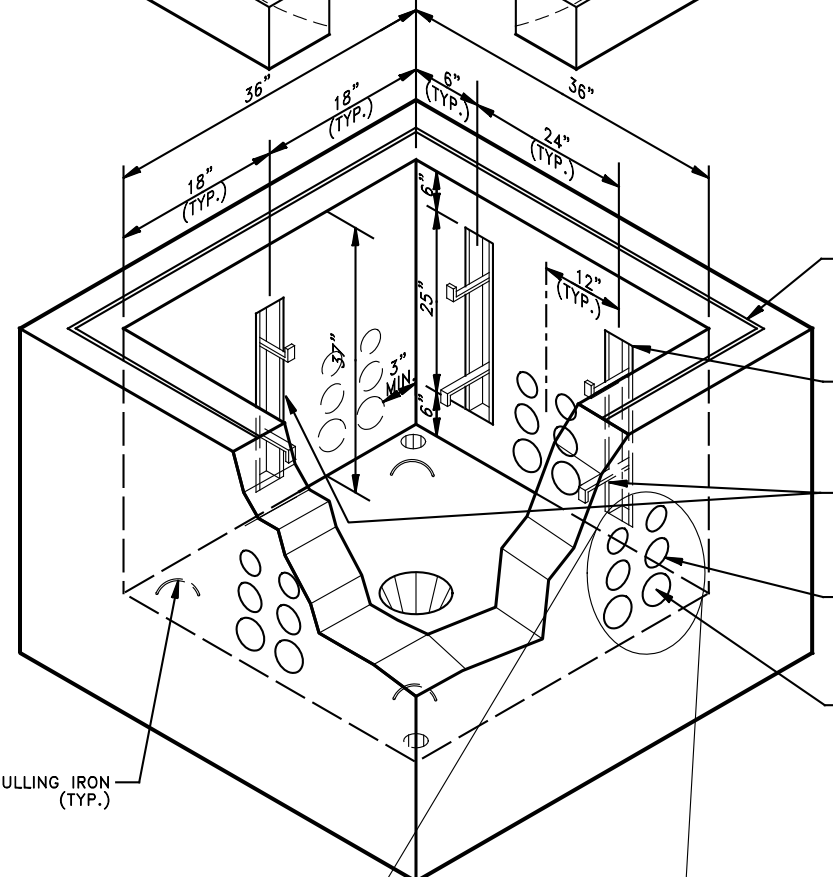


CONCRETE CAP

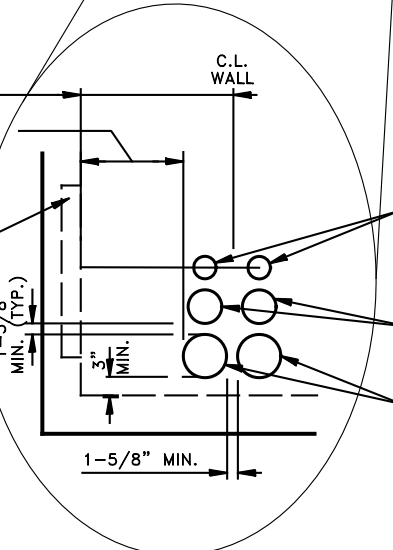


- ITS MANHOLE SHALL BE INSTALLED WITH A LOCKING LIP WITH SEAL BETWEEN WALL AND COVER ASSEMBLY
- GALVANIZED UNISTRUT "C" CHANNEL EMBEDDED IN SIDE WALL 1 OR 2 EACH SIDE, 6 TOTAL
- RACKS AND HOOKS MOUNTED IN EACH GALVANIZED UNISTRUT "C" CHANNEL EMBEDDED IN SIDE WALL, 2 HOOKS PER RACK
- CONDUIT TERMINATOR (TERM-A-DUCT OR EQUIVALENT) 6 PER SIDE, 24 TOTAL
- DEPTH SAME AS WALL THICKNESS (TYP.)

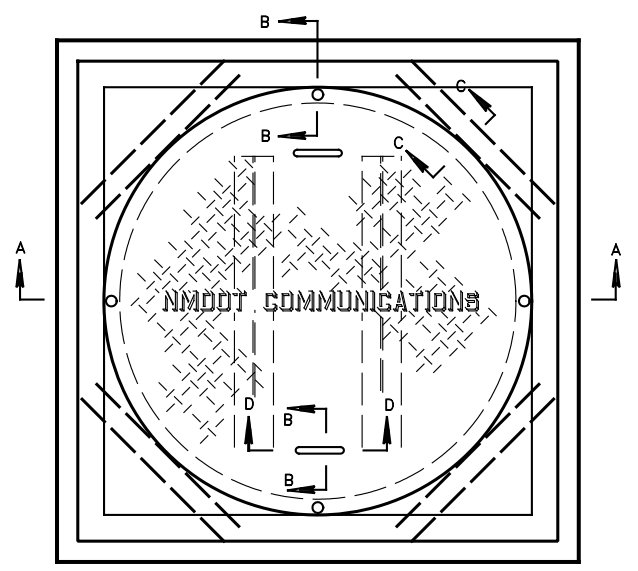
PULLING IRON (TYP.)

1'-6" AT WALLS WITH TWO RACKS
OR
3" MIN. AT WALLS WITH ONE RACK

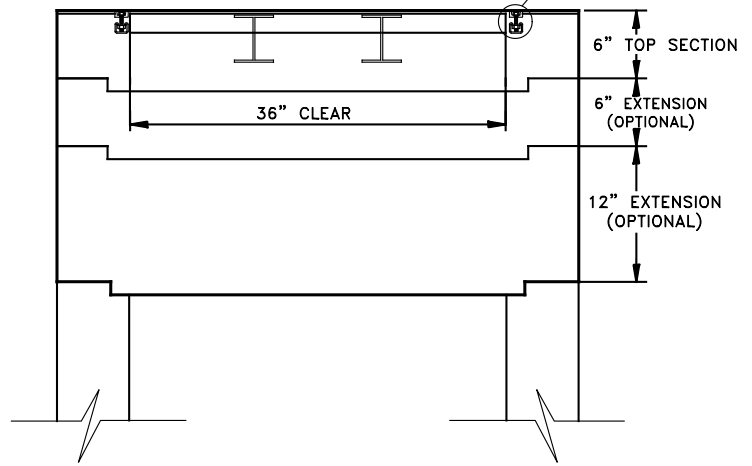
1-5/8" X 7/8" WIDE "C" CHANNEL (UNISTRUT P-3200 OR EQUIVALENT) EMBEDDED IN SIDE WALL, 1 OR 2 EACH SIDE, 6 TOTAL, MAINTAIN 6" FROM FINISHED FLOOR.



- SUPPLEMENTAL CONDUIT TERMINATOR (TERM-A-DUCT OR EQUIVALENT) SHALL ACCEPT A 2" CONDUIT.
- LATERAL CONDUIT TERMINATOR (TERM-A-DUCT OR EQUIVALENT) SHALL ACCEPT A 3" CONDUIT.
- TRUNKLINE CONDUIT TERMINATOR (TERM-A-DUCT OR EQUIVALENT) SHALL ACCEPT A 4" CONDUIT.



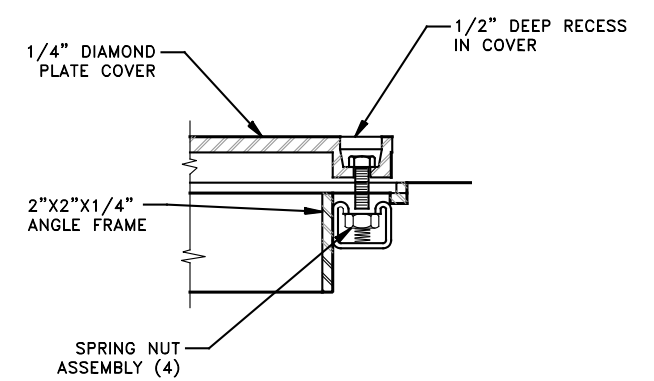
PLAN VIEW WITH COVER



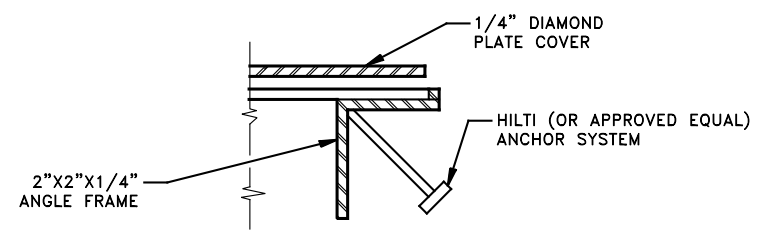
SECTION A-A

NOTES:

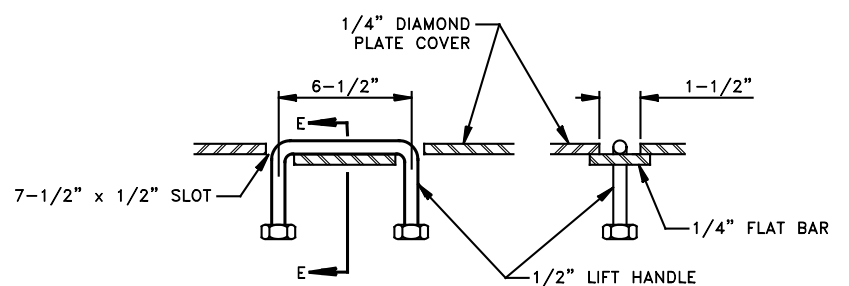
1. PULLING IRONS SHALL BE CAST INTO EACH CORNER OF THE BOTTOM OF THE ITS MANHOLE.
2. ALL NEW ITS MANHOLES SHALL BE FURNISHED WITH RACKS AND HOOKS INSTALLED.
3. PULLING IRONS SHALL NOT EXTEND MORE THAN 3" ABOVE THE BOTTOM OF ITS MANHOLE.
4. ITS MANHOLE AND LIDS SHALL BE RATED FOR HS20-44 LOADING.
5. LOCKING LIP W/SEAL BETWEEN WALL AND COVER ASSEMBLY.
6. "NMDOT COMMUNICATIONS" SHALL BE THE TITLE EMBOSSED ON THE LID.



SECTION B-B
(BOLT DOWN)



SECTION C-C
(TYPICAL)



SECTION D-D
(LIFT HANDLE)

SECTION E-E
(LIFT HANDLE)

NO.	DESCRIPTION	DATE	BY
REVISIONS (OR CHANGE NOTICES)			
NEW MEXICO DEPARTMENT OF TRANSPORTATION			
ITS MANHOLE INSTALLATION DETAILS			
SHEET 1 OF 2			
APPROVED _____		DATE _____	
DESIGN BY _____		DRAWN BY _____	
		CHECKED BY _____	
750-03-1/2			